

Size 10

...3626 PSI (250 bar)

Replaces
HA 0008 1/2000

- For in-line mounting of hydraulic valves
- Parallel connection of ports P and T
- 1 ... 6 sections possible
- Installation dimensions size 10 to ISO 4401 and DIN 24 340-A10



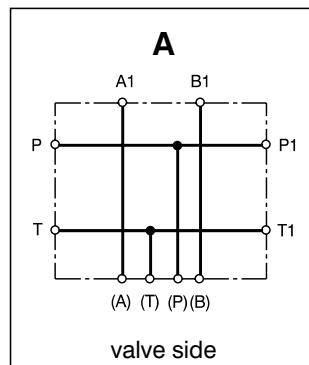
Ordering Code

PD10 - AL

In-line connecting plate

Nominal size

Connection
see functional symbol



Material - aluminium

1
2
3
4
5
6

Number of sections
1 section
2 sections
3 sections
4 sections
5 sections
6 sections

Survey of types

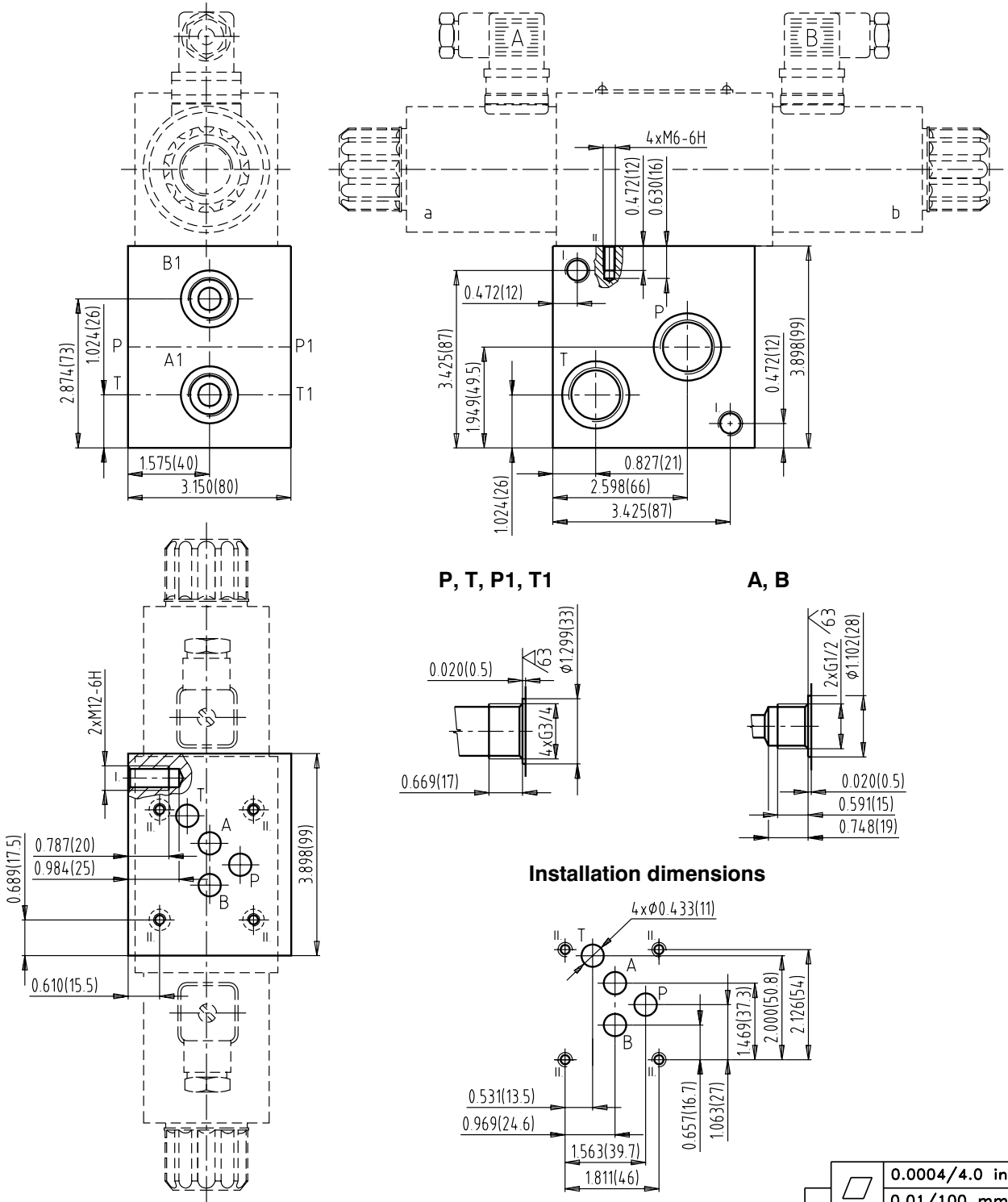
Type	Ordering number	Weight lbs (kg)
PD10A1-AL	760-0151	5.10 (2.32)
PD10A2-AL	760-0152	9.85 (4.48)
PD10A3-AL	760-0153	14.55 (6.62)
PD10A4-AL	760-0154	19.45 (8.85)
PD10A5-AL	760-0155	24.24 (11.03)
PD10A6-AL	760-0156	29.03 (13.21)

**FOR PREFERRED TYPES SEE BOLD TYPING IN ORDERING CODE
AND TABLE OF SURVEY OF TYPES**

Plate Dimensions

Dimensions in inches and millimetres (in brackets)

Plates with 1 section



Installation dimensions

0.0004/4.0 in
0.01/100 mm

0.8 (Rmax. 6.3)

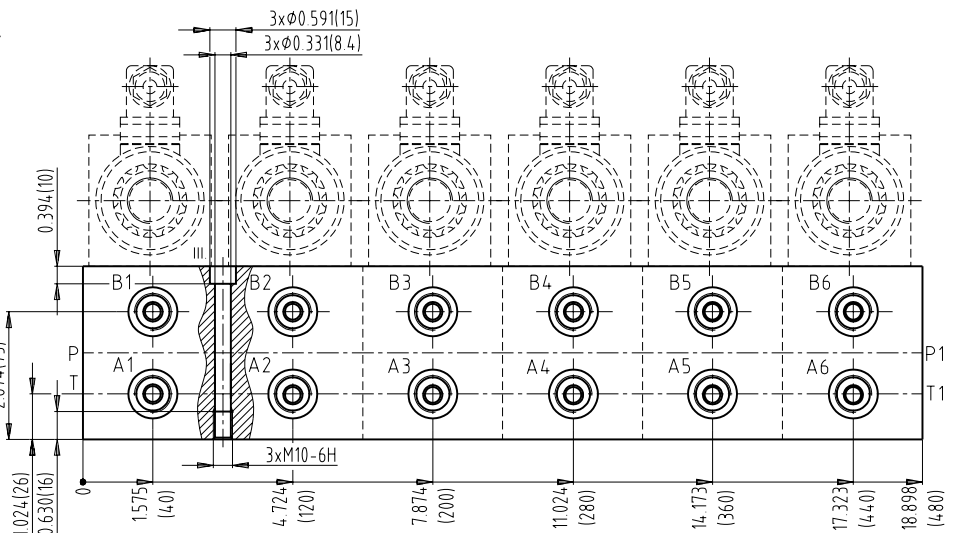
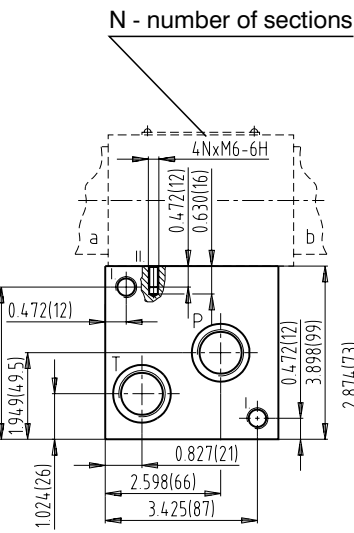
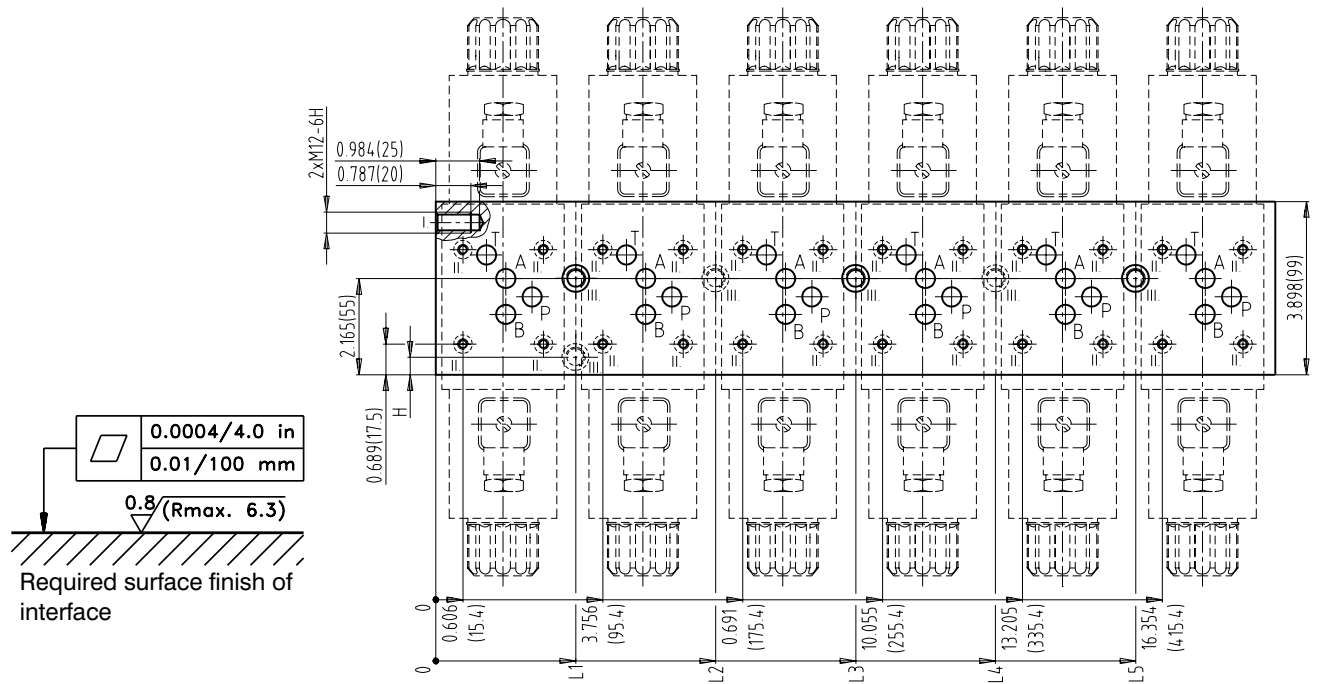
Required surface finish of interface

Port	A, B	P, T, P1, T1
Thread	G1/2	G3/4
Depth of thread	0.591 (15)	0.669 (17)
Counterbore	Ø1.102 (28)	Ø1.299 (33)
Depth of counterbore	0.020 (0.5)	0.020 (0.5)

Plate Dimensions

Dimensions in inches and millimetres (in brackets)

Plates with 2 ... 6 sections



Number of sections	L1	L2	L3	L4	L5	H
2	3.150 (80)	-	-	-	-	0.394 (10)
3	3.150 (80)	6.299 (160)	-	-	-	-
4	3.150 (80)	-	9.449 (240)	-	-	-
5	3.150 (80)	-	9.449 (240)	12.598 (320)	-	-
6	3.150 (80)	-	9.449 (240)	-	15.748 (400)	-
Port		A1...A6, B1...B6			P, T, P1, T1	
Thread		G1/2			G3/4	
Depth of thread		0.591 (15)			0.669 (17)	
Counterbore		Ø1.102 (28)			Ø1.299 (33)	
Depth of counterbore		0.020 (0.5)			0.020 (0.5)	

Caution!

- The packing foil is recyclable.
- The technical information regarding the product presented in this catalogue is for descriptive purposes only. It should not be construed in any case as a guaranteed representation of the product properties in the sense of the law.

HYTOS a.s. CZ - 543 15 Vrchlabí

Tel.: +420-499-403111, Fax: +420-499-403421, e-mail: sales@hytos.cz