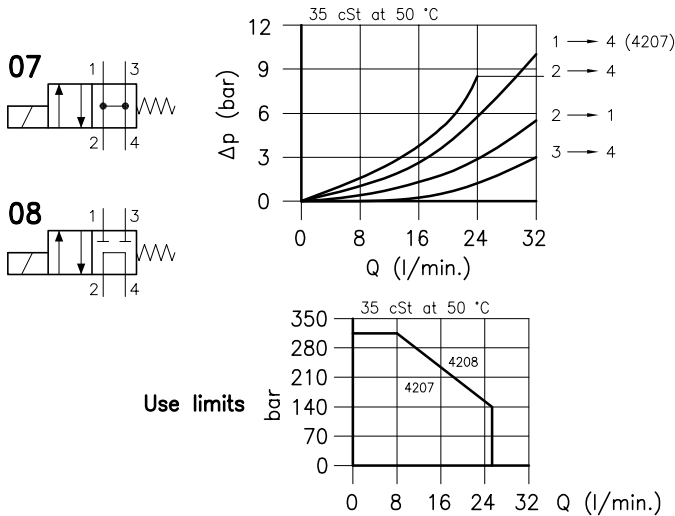
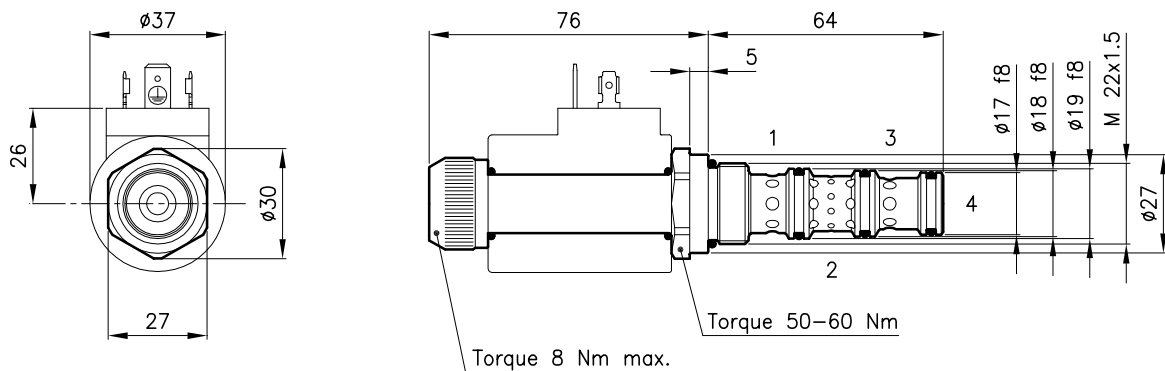


Technical features



Cavity	(For dimensions see catalogue 17.000)	S 30/4
Max. flow	(l/min.)	25
Max. pressure way 1-2-3	(bar)	315
Max. pressure way 4	(bar)	210
Max. leakage	(cm ³ /min.)	25
Response time	(ms)	30 - 60
It change in function of circuit, pressure, flow and fluid viscosity.		(Mean value)
Fluid viscosity range	(cSt)	2.8 - 380
Fluid temperature range	(°C)	-20 +80
Mass	(kg)	0.250
Hydraulic fluid; mineral oil HM and HV		ISO 6074
Recommended filtration; 19/15 ISO 4466 (25 μ absolutes)		
Standard seals in Polyurethane and Buna N		

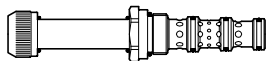
Dimensions



Ordering informations

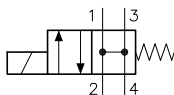
ETD 30/4207

ETD 30/42.. = Valve type
Centre open

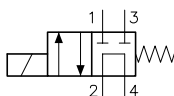


Circuits

4207 =



4208 =



Codes:

ETD 30/4207	35 011 118
ETD 30/4208	35 011 133
External seals kit	90 620 105

ETD 30/42.. valves can be assembled on standard bodies 30-C4 series; for dimensions see catalogue 16.011

On the ETD 30 valves must be assembled the Coils B30 series; for dimensions, features and codes see catalogues 09.900 and 09.901.