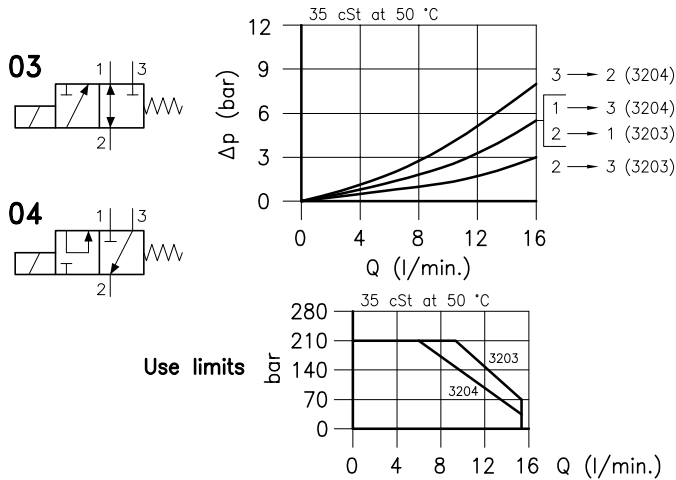
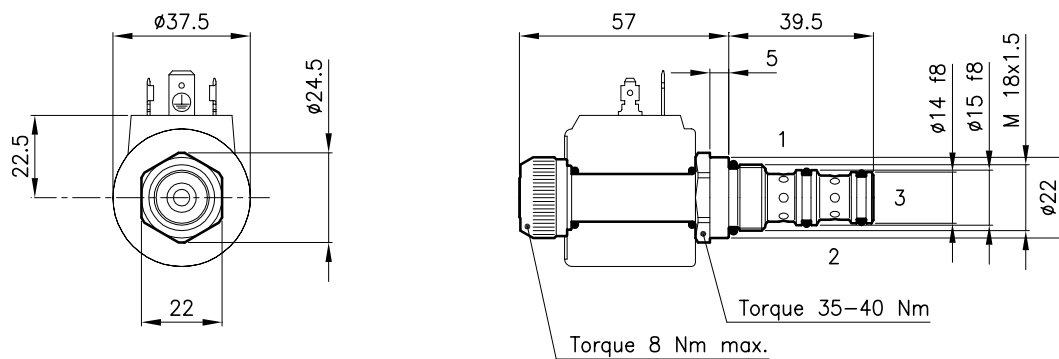


Technical features



Cavity	(For dimensions see catalogue 17.000)	S 20/3
Max. flow	(l/min.)	15
Max. pressure	(bar)	210
Max. leakage	(cm ³ /min.)	20
Response time	(ms)	20 - 40 (Mean value)
Fluid viscosity range	(cSt)	2.8 - 380
Fluid temperature range	(°C)	-20 +80
Mass	(kg)	0.130
Hydraulic fluid; mineral oil HM and HV		ISO 6074
Recommended filtration; 19/15 ISO 4466 (25 μ absolutes)		
Standard seals in Polyurethane and Buna N		

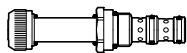
Dimensions



Ordering informations

ETD 20/3203

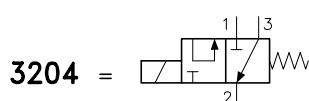
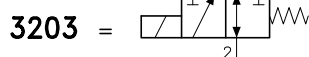
ETD 20/32.. = Valve type



Codes:

ETD 20/3203	25 011 115
ETD 20/3204	25 011 108
External seals kit	90 620 101

Circuits



ETD 20/32.. valves can be assembled on standard bodies 20-C3 series; for dimensions see catalogue 16.010

On the ETD 20 valves must be assembled the Coils B20 series; for dimensions, features and codes see catalogues 09.900 and 09.901.