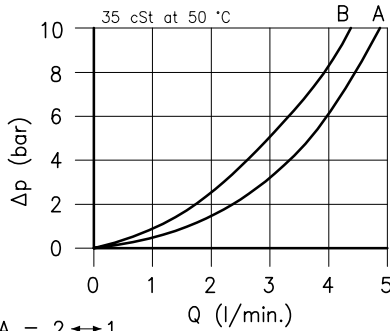
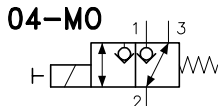
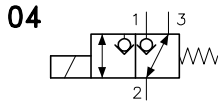


**Technical features**

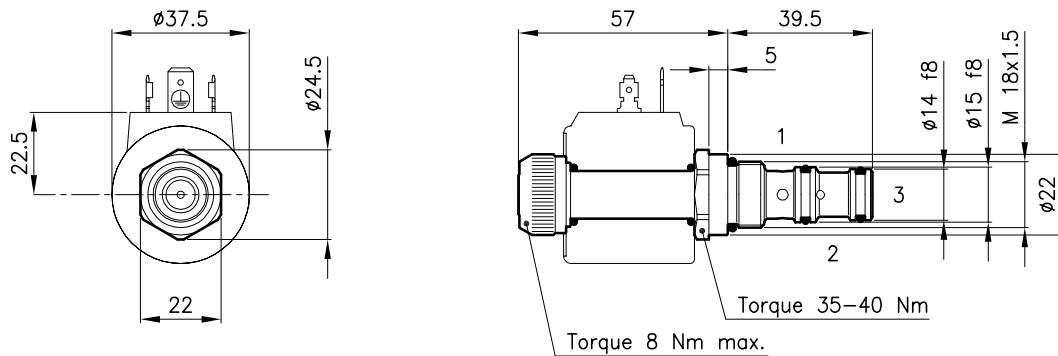


A = 2 ↔ 1

B = 2 ↔ 3

Cavity	(For dimensions see catalogue 17.000)	S 20/3
Max. flow	(l/min.)	5
Max. pressure	(bar)	210
Response time	(ms)	20 - 40
It change in function of circuit, pressure, flow and fluid viscosity.		(Mean value)
Fluid viscosity range	(cSt)	2.8 - 380
Fluid temperature range	(°C)	-20 +80
Mass	(kg)	0.140
Hydraulic fluid; mineral oil HM and HV		ISO 6074
Recommended filtration; 19/15 ISO 4466 (25 μ absolutes)		
Standard seals in Polyurethane and Buna N		

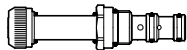
**Dimensions**



**Ordering informations**

**ECD 20/3204-MO**

ECD 20/32.. = Valve type



Circuits

**3204** =

**MO** = Manual override  
(Omit if not request)

Codes:

ECD 20/3204	25 011 156
ECD 20/3204-MO	25 011 157
External seals kit	90 620 101

ECD 20/32.. valves can be assembled on standard bodies 20-C3 series; for dimensions see catalogue 16.010

On the ECD 20 valves must be assembled the Coils B20 series; for dimensions, features and codes see catalogues 09.900 and 09.901.