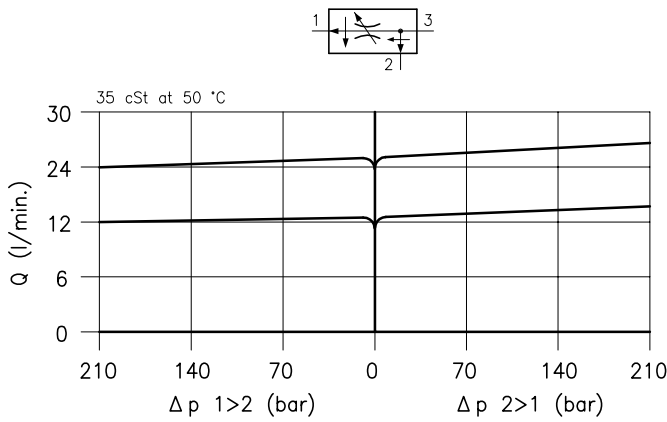
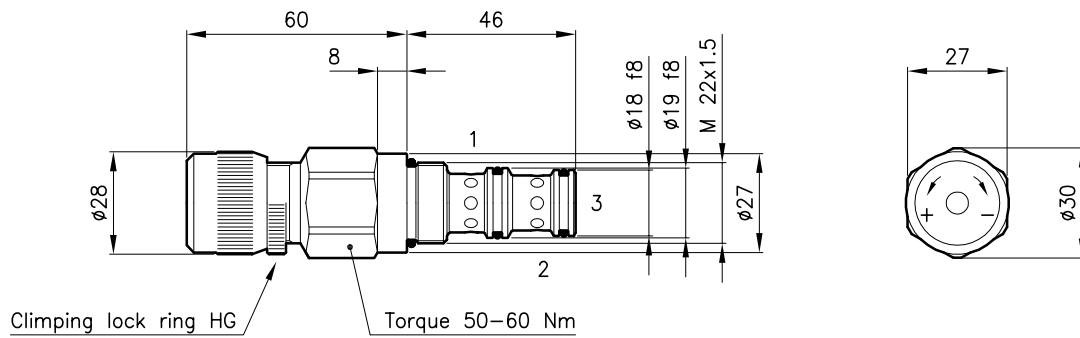


Technical features



Cavity	(For dimensions see catalogue 17.000)	S 30/3
Max. inlet flow	(l/min.)	60
Flow setting range	(l/min.)	type D 0.05 - 12
		type Q 0.05 - 24
Max. pressure	(bar)	315
Min pressure difference	(bar)	7
Fluid viscosity range	(cSt)	2.8 - 380
Fluid temperature range	(°C)	-20 +80
Mass	(kg)	0.260
Hydraulic fluid; mineral oil HM and HV		ISO 6074
Recommended filtration; 19/15 ISO 4466 (25 μ absolutes)		
Complete adjustment range obtained with 1 knob turn		
Standard seals in Polyurethane and Buna N		

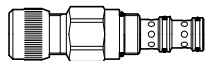
Dimensions



Ordering informations

DPZ 30/D-H

DPZ 30 = Valve type



Flow setting range

D = 0.05 - 12 l/min

Q = 0.05 - 24 l/min

Adjustment type

H = Standard

HG = With clamping lock ring

Codes:

DPZ 30/D-H	33 011 115
DPZ 30/Q-H	33 011 100
DPZ 30/D-HG	33 011 146
DPZ 30/Q-HG	33 011 147
External seals kit	90 620 104

DPZ 30 valves can be assembled on standard bodies 30-C3 series; for dimensions see catalogue 16.010