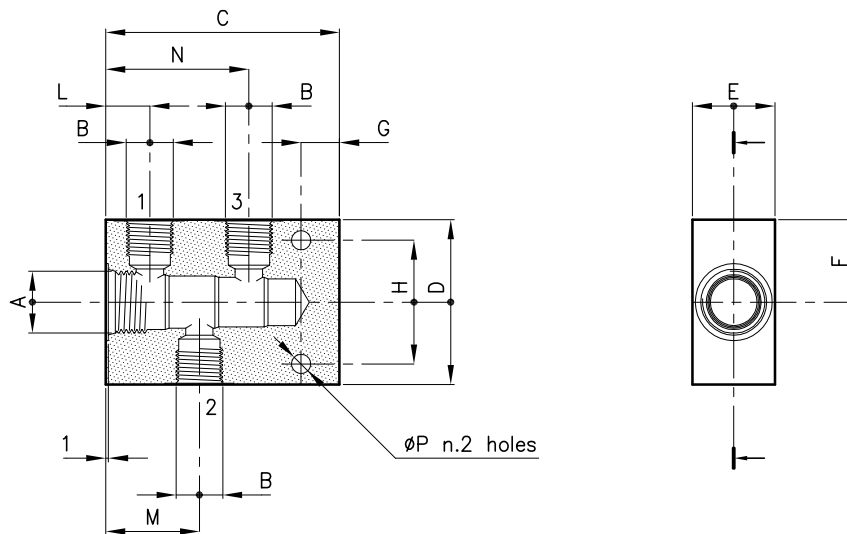
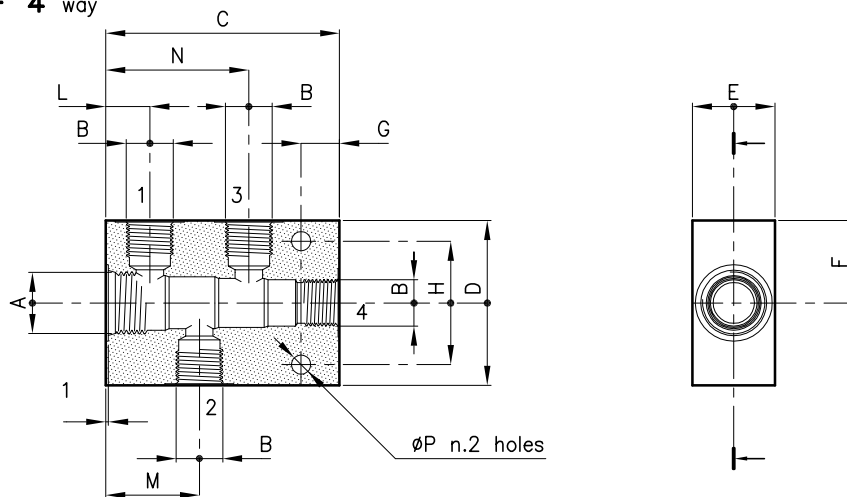


Body type **CC - 3** way (version for flow divider DCC series)



Series	Aluminium	Steel	A	B	C	D	E	F	G	H	L	M	N	P
30	30-CC-B05		S 30/4	G 1/4 (B05)	85	60	30	30	14	45	16	34	52	7
	30-CC-B06	..-B06/FE		M 22x1.5	G 3/8 (B06)	85	60	30	30	14	45	16	34	52
	30-CC-B08	..-B08/FE	G 1/2 (B08)		90	70	35	35	14	45	16	34	52	7
50	50-CC-B08	..-B08/FE	S 50/4	G 1/2 (B08)	115	90	45	45	14	60	22	47	72	9
	50-CC-B12	..-B12/FE	M 33x2	G 3/4 (B12)	115	90	45	45	14	60	22	47	72	9

Body type **C4 - 4** way



Series	Aluminium	Steel	A	B	C	D	E	F	G	H	L	M	N	P
20	20-C4-B05	..-B05/FE	S 20/4	G 1/4 (B05)	74	60	30	30	14	35	14	29	44	7
	20-C4-B06	..-B06/FE	M 18x1.5	G 3/8 (B06)	74	60	30	30	14	35	14	29	44	7
28	28-C4-B05	..-B05/FE	S 28/4	G 1/4 (B05)	74	60	30	30	14	35	16	29	44	7
	28-C4-B06	..-B06/FE	3/4-16 UNF	G 3/8 (B06)	74	60	30	30	14	35	16	29	44	7
30	30-C4-B06	..-B06/FE	S 30/4	G 3/8 (B06)	85	60	30	30	14	45	16	34	52	7
	30-C4-B08	..-B08/FE	M 22x1.5	G 1/2 (B08)	90	70	35	35	14	45	16	34	52	7
50	50-C4-B08	..-B08/FE	S 50/4	G 1/2 (B08)	115	90	45	45	14	60	22	47	72	9
	50-C4-B12	..-B12/FE	M 33x2	G 3/4 (B12)	115	90	45	45	14	60	22	47	72	9
70			S 70/3											
			M 42x2											