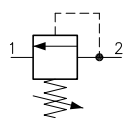
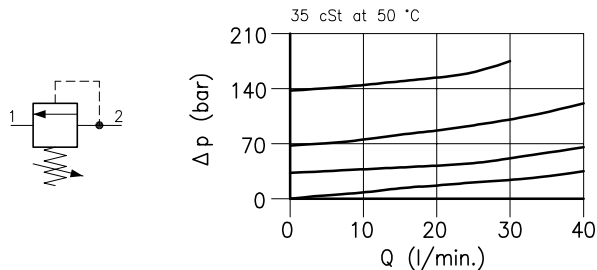
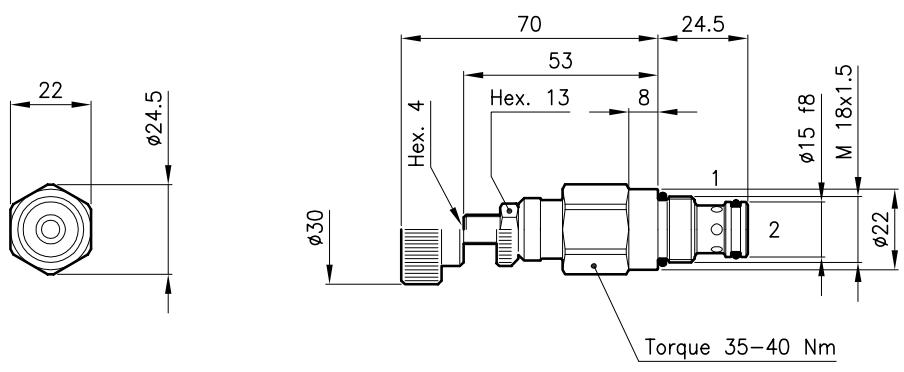


**Technical features**



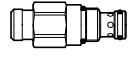
Cavity	(For dimensions see catalogue 17.000)	S 20/2
Max. flow	(l/min.)	30
Max. inlet pressure	(bar)	210
Max. pressure on line 1	(bar)	210
Fluid viscosity range	(cSt)	2.8 - 380
Fluid temperature range	(°C)	-20 +80
Mass	(kg)	0.125
Cracking pressure 90% of setting value		
Reseat pressure 80% of setting value		
Cracking pressure defined with 1 l/min.		
Standard setting obtained with 5 l/min.		
Hydraulic fluid; mineral oil HM and HV ISO 6074		
Recommended filtration; 19/15 ISO 4466 (25 μ absolutes)		
Standard seals in Polyurethane and Buna N		

**Dimensions**



**Ordering informations**

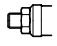
**LPE 20/D-N**

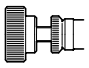
**LPE 20** = Valve type  


Standard springs

Type	Setting range	Factory set
<b>U</b>	= 10 - 90 bar	35 bar
<b>D</b>	= 35 - 140 bar	70 bar
<b>T</b>	= 70 - 210 bar	140 bar

Adjustment type

**N** = Standard adjustment  


**V** = Handknob adjustment  


Codes:

LPE 20/U-N	21 011 215
LPE 20/D-N	21 011 216
LPE 20/T-N	21 011 217
LPE 20/U-V	21 011 218
LPE 20/D-V	21 011 219
LPE 20/T-V	21 011 220
External seals kit	90 620 100

LPE 20 valves can be assembled on standard bodies 20-LO series; for dimensions see catalogue 16.010