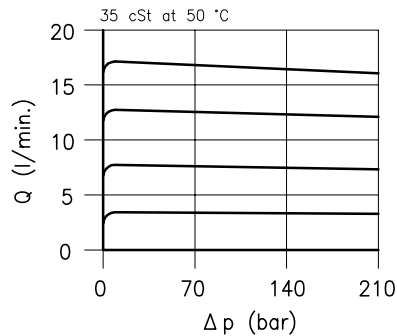
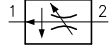
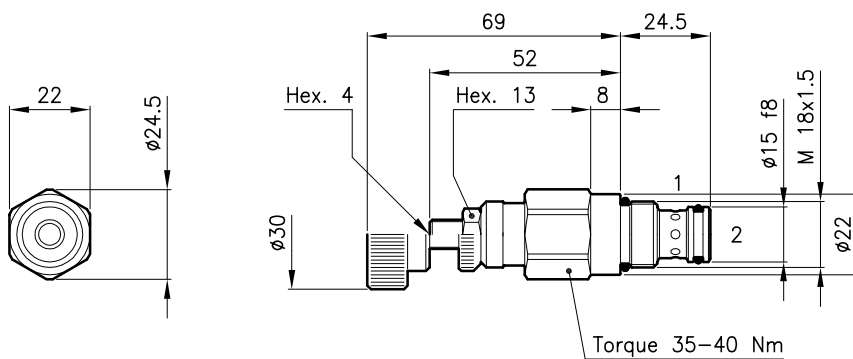


Technical features



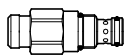
Cavity	(For dimensions see catalogue 17.000)	S 20/2
Flow setting range ± 10% (l/min.)	type U	0.6 – 2.2
	type D	1.5 – 4.5
	type T	3.2 – 9.5
	type Q	6 – 18
Max. pressure	(bar)	315
Fluid viscosity range	(cSt)	2.8 – 380
Fluid temperature range	(°C)	-20 +80
Mass (Standard adjustment type N)	(kg)	0.140
Hydraulic fluid; mineral oil HM and HV		ISO 6074
Recommended filtration; 19/15 ISO 4466 (25 μ absolutes)		
Standard seals in Polyurethane and Buna N		

Dimensions



Ordering informations

RDC 20 = Valve type



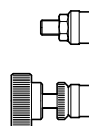
Flow setting range

- U** = 0.6 – 2.2 l/min
- D** = 1.5 – 4.5 l/min
- T** = 3.2 – 9.5 l/min
- Q** = 6 – 18 l/min

Adjustment type

- N** = Standard adjustment
- V** = Handknob adjustment

RDC 20/D-N



Codes:

RDC 20/U-N	23 011 100
RDC 20/D-N	23 011 101
RDC 20/T-N	23 011 102
RDC 20/Q-N	23 011 103
RDC 20/U-V	23 011 111
RDC 20/D-V	23 011 112
RDC 20/T-V	23 011 113
RDC 20/Q-V	23 011 114
External seals kit	90 620 100

RDC 20 valves can be assembled on standard bodies 20-LO series: for dimensions see catalogue 16.010