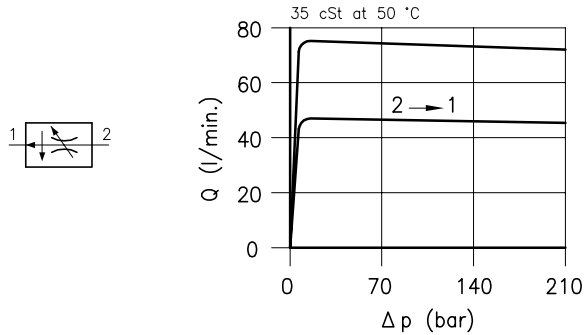
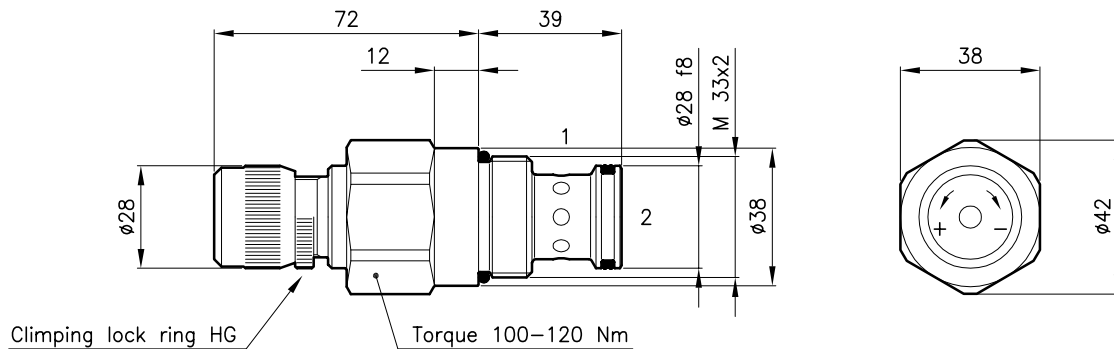


Technical features



Cavity	(For dimensions see catalogue 17.000)	S 50/2
Flow setting range (l/min.)	type D	0.05 - 45
	type Q	0.05 - 75
Max. pressure	(bar)	315
Min. pressure difference	(bar)	7
Fluid viscosity range	(cSt)	2.8 - 380
Fluid temperature range	(°C)	-20 +80
Mass	(kg)	0.480
Hydraulic fluid; mineral oil HM and HV		ISO 6074
Recommended filtration; 19/15 ISO 4466 (25 μ absolutes)		
Complete adjustment range obtained with 1 knob turn		
Standard seals in Polyurethane and Buna N		

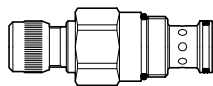
Dimensions



Ordering informations

RDZ 50/D-H

RDZ 50 = Valve type



Flow setting range

D = 0.05 - 45 l/min

Q = 0.05 - 75 l/min

Adjustment type

H = Standard

HG = With clipping lock ring

Codes:

RDZ 50/D-H 53 011 122

RDZ 50/Q-H 53 011 123

RDZ 50/D-HG 53 011 124

RDZ 50/Q-HG 53 011 125

External seals kit 90 620 106

RDZ 50 valves can be assembled on standard bodies 50-LO series; for dimensions see catalogue 16.010